

RockStar® HighPower

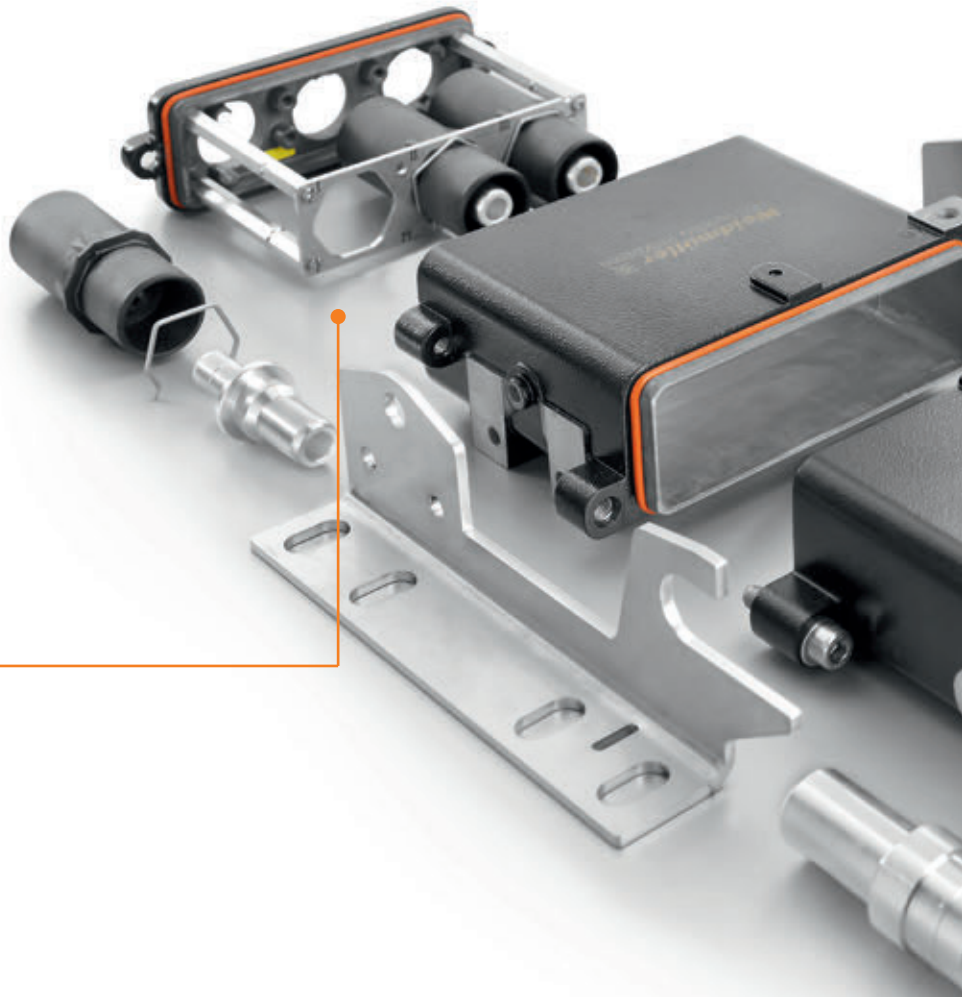
RockStar® HighPower	Introduction	D.2
	RockStar® HighPower 250 A	D.4
	4,000 V	
	250 A	
	1 - 4 poles	
	RockStar® HighPower 550 A	D.10
	4,000 V	
	550 A	
	1 - 3 poles	

RockStar® HighPower

Uncompromising power – in clever and safe packaging. The RockStar® HighPower modular high-current connector system has been custom designed for the high demands of traffic engineering applications. The system also meets the requirements of the wind power industry. The modular set-up consists of one-piece crimp contacts, insulating sleeves, insert-holder frames and a robust multi-part die-cast aluminium enclosure in IP68, as well as cross-connection options.

This modular design offers clear advantages for handling: It is possible to wire crimped lines with large cross-sections and to see this process through to the final step. The wiring can be achieved using standard cable glands.

D

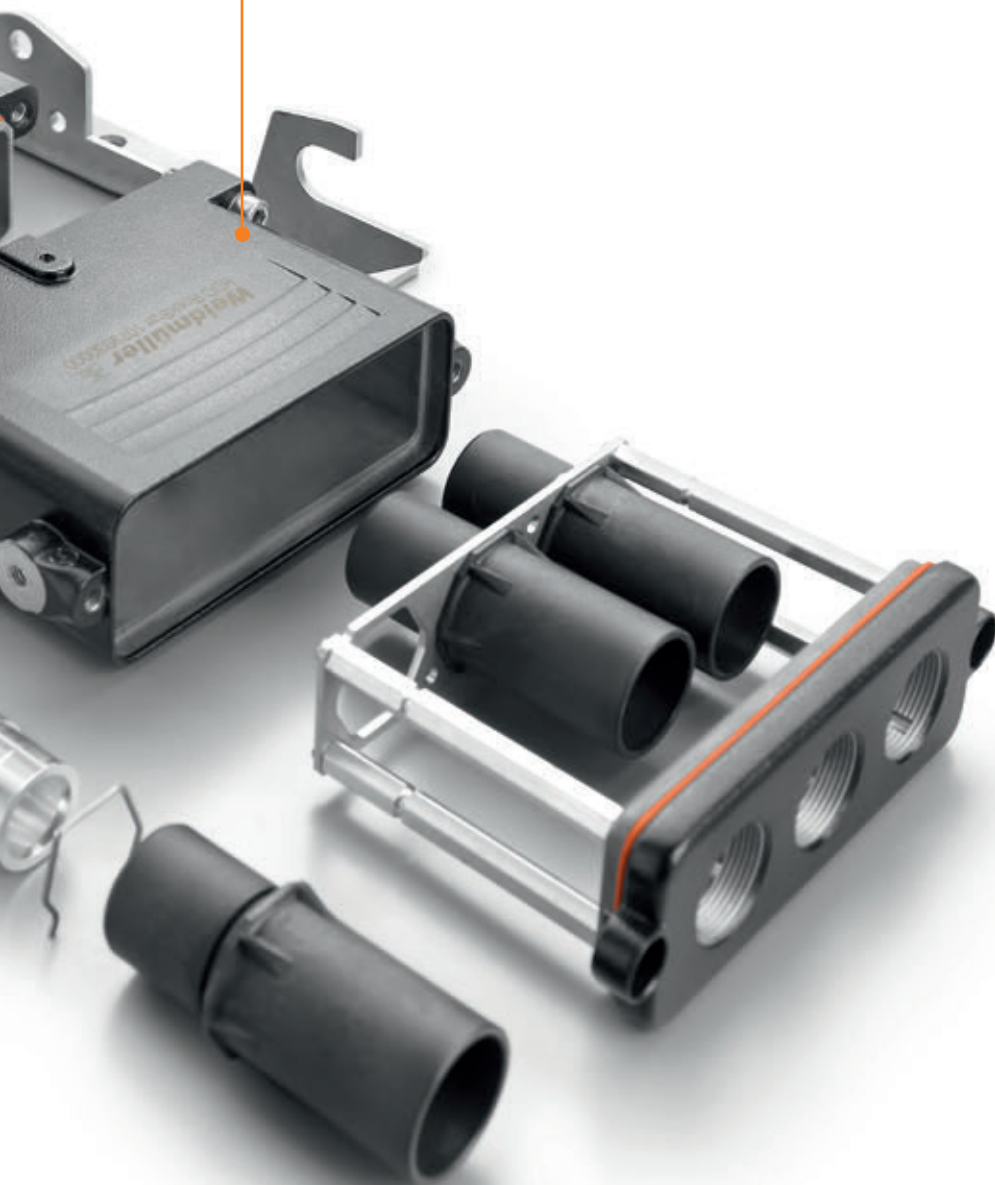
**Safe**

Tried-and-tested, low-maintenance crimp-connection technology with stranded, finely stranded and very finely stranded flexible copper conductors measuring up to 240 mm² with standardised tools



Practical and universal

A multitude of potential applications have been made pluggable for the first time ever – simply by integrating cross-connections.

**Perfectly optimised shielding**

Along with the 360° contact, the shielding connection integrated in the enclosure is the cutting edge of what is technically feasible at present.



HighPower 250 A


RockStar® HighPower is designed to meet the strict standards set by DIN EN 61373 Cat. 2 (pivot mounting). The coordinated connector components provide you with a fail-safe and maintenance-free power transmission solution: in this case up to 250 A / 4,000 V.



Technical data

HighPower 250 A series	
Standards	DIN EN 50124-1 In compliance with DIN EN 61984 DIN EN 50155 DIN EN 61373 KAT 2 (Pivot mounting)
Number of contacts	1-, 2-, 3-, 4 poles
Wire connection method	Crimp
Rated current	250 A
Rated insulation voltage (highest permitted operating voltage)	
AC wire - wire	4,000 V (4,800 V)*
AC wire - earthed housing	2,300 V (3,000 V)*
DC wire - wire	4,000 V (4,800 V)*
DC wire - earthed housing	2,300 V (3,000 V)*
Rated impulse voltage	
Wire - wire	25 kV
Wire - earthed housing	15 kV
Surge voltage category	OV 3
Pollution severity degree	PD 2 (PD 3) ¹
Material	
Insulating body	PA 66 glass-fibre reinforced
Contact	Copper alloy, silver plated
Flammability	
According to UL 94	V-0
According to NFF 16-101 / NFF 16-102	I3 F2
DIN 5510 Part 2	V-0
Insulation resistance	10 ¹⁰ Ω
Temperature range	-50 °C to +120 °C
HDC IP68 HP 248 series	
Protection degree according to DIN EN 60529	IP68 when interlocked
Colour	RAL 9005 (black)
Surface finish	Powder coating
Locking element	
Screw interlock	M8
Material	Stainless steel, rust-proof
Torque	11 Nm
Housing seal	Silicone rubber
Temperature range	-50 °C to +120 °C
Material	
Housing	Die-cast aluminium alloy, corrosion resistant
Mounting bracket	Stainless steel, rust-proof
Accessories	
Material	
Assembly frame	Stainless steel, rust-proof
Shield clamp	Sheet steel, galvanized
Touch-safe protection	PA66
Colour	
Assembly frame	Natural
Shield clamp	Natural
Touch-safe protection	Red
Cable gland	
Material	
Cable gland	Optional as nickel-plated brass or stainless steel
Seal insert	TPE
Temperature range	-40 °C to +130 °C
Class of protection	IP68
Note:	
*4,800 V, depending on the application	
¹ The contacts are protected against contamination and condensation within the HDC housing.	
The completely assembled connector can be used at pollution degree PD 3.	

Overview

	Size	Rated voltage	Rated current	No. of poles	Tension clamp connection	TOP connection	Screw conn. with wire guard spring	Crimp connection	PUSH IN connection	Page
	8	4,000 V	250 A	1 - 4				•		D.6

D

RockStar® HighPower 250 A

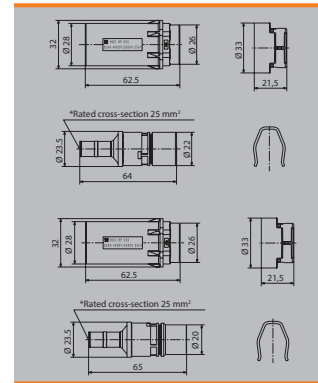
Crimp contacts

Crimp contact



Conductor cross-section	Male Type	Order No.	Female Type	Order No.
25 mm ²	HDC HP 250 M 25	1079690000	HDC HP 250 F 25	1079720000
35 mm ²	HDC HP 250 M 35	1079680000	HDC HP 250 F 35	1079730000
50 mm ²	HDC HP 250 M 50	1119080000	HDC HP 250 F 50	1079740000
70 mm ²	HDC HP 250 M 70	1119090000	HDC HP 250 F 70	1079750000
95 mm ²	HDC HP 250 M 95	1119100000	HDC HP 250 F 95	1079770000
Insulated PE contact				
50 mm ²	HDC HP 250 M 50 PE	1220850000	HDC HP 250 F 50 PE	1220840000

Note In the version described here, the crimp contacts can be used for crimp connections with flexible, stranded, and finely stranded copper wires (according to DIN 48201 part 1 and DIN 57 295 VDE 0295) or with crimping inserts (according to DIN 48083 part 1, part 3 and part 4). We would be glad to customise the crimp contact to fit your requirements.

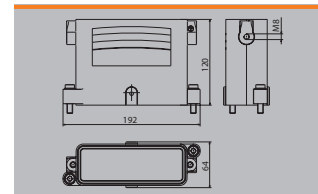


Housing

Plug housing



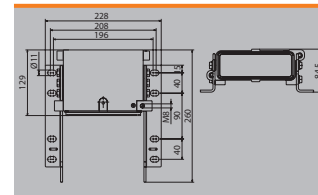
Deployment	Type	Order No.
Plug	HDC IP68 HP 24B T0	1079930000



Base housing



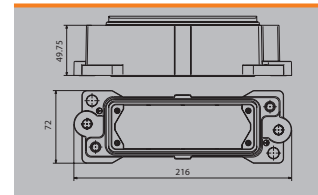
Deployment	Type	Order No.
Base housing	HDC IP68 HP 24B AS S	1079920000



Bulkhead housing



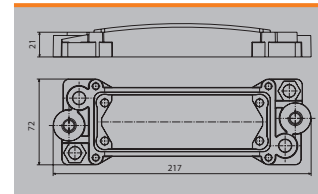
Deployment	Type	Order No.
Bulkhead (Feed-Through)	HDC IP68 HP 24B A	1120040000



Counter-frame



Deployment	Type	Order No.
Counter-frame	HDC IP68 24B HP FRAME	1282820000



RockStar® HighPower 250 A

Housing

Mounting cover



Deploym.	Cable entry	Number	Size	Type	Order No.
Cover				HDC IP68 24B MD	1119950000
Cover	w. threading	3	M 40	HDC IP68 24B MD 3M40	1119970000
Cover	w. threading	3	M 32	HDC IP68 24B MD 3M32	1119980000
Cover	w. threading	3	M 25	HDC IP68 24B MD 3M25	1079910000
Cover	w. threading	2	M 40	HDC IP68 24B MD 2M40	1119990000
Cover	w. threading	2	M 32	HDC IP68 24B MD 2M32	1120000000
Cover	w. threading	4	M 25	HDC IP68 24B MD 4M25 T1	1160450000
Cover	w. threading	2	M 25	HDC IP68 24B MD 2M25	1120010000
Cover	w. threading	4	M 25	HDC IP68 24B MD 4M25 T2	1220860000
Cover	w. threading	1	M 50	HDC IP68 HP 24B 1M50	2451460000
Cover	w. threading	1	M 63	HDC IP68 HP 24B 1M63	2473940000

Note Because of the asymmetric arrangement of the four threaded holes, the T1 version must be used on one side and the T2 version must be used on the other side.

Accessories

Mounting frame



Size	No. of poles	Type	Order No.
3	1	HDC 06B HP250 MPL1	1103680000
8	2	HDC 24B HP250 MPL2 TYP1	1103690000
8	2	HDC 24B HP250 MPL2 TYP2	1103740000
8	3	HDC 24B HP250 MPL3 TYP1	1079640000
8	3	HDC 24B HP250 MPL3 TYP2	1103750000
8	4	HDC 24B HP250 MPL4 TYP1	1160430000
8	4	HDC 24B HP250 MPL4 TYP2	1160440000
8	4	HDC 24B HP250 MPL4PE T1	1212890000
8	4	HDC 24B HP250 MPL4PE T2	1212910000

Mounting frame set



Size	No. of poles	Type	Order No.
8	3	HDC HP 250 SSF BO SET	2008220000
8	3	HDC HP 250 SSM BO SET	2008210000

Note Low resistance current transmission

EMC shield connection



Deploym.	Type	Order No.
	VGM25-MS68 EMC 11-20SET	1463720000
	VGM32-MS68 EMC 15-25SET	1463730000
	VGM40-MS68 EMC 20-32SET	2457660000

Mounting tool



Deploym.	Type	Order No.
	HDC FBS TOOL 13-50	8000015137

Note Spring band clamp installation tool for HighPower shield connections

Touch-safe protection set



Deploym.	Type	Order No.
	HDC HP 250 SHOCKPROTEC	1120130000

Note For use with HighPower 250 A female contacts

Accessories

Signal contact carrier



Deploym.	Type	Order No.
	HDC HP 250 M CM3	1415410000
	HDC HP 250 F CM3	1415420000

Note The CM3 crimp contacts have to be ordered separately.

Cable glands



Thread	Material	Cable diameter	Type	Order No.
M 25	Stainless steel 1.4305 (303)	11...20 mm	VGM25-SS68 11-20 BG	1193570000
M 32	Stainless steel 1.4305 (303)	15...25 mm	VGM32-SS68 15-25 BG	1193580000
M 40	Stainless steel 1.4305 (303)	20...32 mm	VGM40-SS68 20-32 BG	1193590000
M 25	Brass, nickel-plated	11...20 mm	VGM25-MS68 11-20 BG	1193600000
M 32	Brass, nickel-plated	15...25 mm	VGM32-MS68 15-25 BG	1193610000
M 40	Brass, nickel-plated	20...32 mm	VGM40-MS68 20-32 BG	1193620000

Note When using mounting covers with 3 X M 40 cable input threads, the elongated version must be used for the cable gland in the middle.

Cable glands, elongated version



Thread	Material	Cable diameter	Type	Order No.
M 40	Stainless steel 1.4305 (303)	20...32 mm	VGM40/1-SS68 20-32 BG	1205920000
M 40	Brass, nickel-plated	20...32 mm	VGM40/1-MS68 20-32 BG	1205890000

Crimping tools

EPG 45 hydraulic battery crimping tool



Type	Order No.
EPG 45	1500830000

Hexagonal crimp inserts for EPG 45



Code no.	CU mm ²	Crimping width	Type	Order No.
5	6	7	ES MTR110 HEX 6	1500930000
6/16	10/70	7/5	ES MTR110 HEX 10/70	1500940000
8/12	16/35	12/10	ES MTR110 HEX 16/35	1500950000
10/14	25/50	12/5	ES MTR110 HEX 25/50	1500970000
18	95	5	ES MTR110 HEX 95	1500980000
22	150	5	ES EPG 45 HEX 150	1994540000
20	120	5	ES MTR110 HEX 120	1500990000

RockStar® HighPower 250 A

Crimping tools

APG 55 hydraulic battery crimping tool



Type	Order No.
APG 55	1501390000

Hexagonal crimp inserts for APG 55



Code no.	CU mm ²	Crimping width	Type	Order No.
5	6	7	ES APG/HPG55 HEX 6	1501530000
6/16	10/70	7	ES APG/HPG55 HEX 10/70	1501540000
8/12	16/35	12/5	ES APG/HPG55 HEX 16/35	1501550000
10/14	25/50	12/5	ES APG/HPG55 HEX 25/50	1501570000
18	95	5	ES APG/HPG55 HEX 95	1501580000
20	120	5	ES APG/HPG55 HEX 120	1501590000
22	150	5	ES APG/HPG55 HEX 150	1501600000
25	185	5	ES APG/HPG55 HEX 185	1501620000

APG 80 hydraulic battery crimping tool



Type	Order No.
APG 80	1502390000

Hexagonal crimp inserts for APG 80



Code no.	CU mm ²	Crimping width	Type	Order No.
5	6	7	ES APG/HPG80 HEX 6	1502600000
6	10	7	ES APG/HPG80 HEX 10	1502620000
8	16	12	ES APG/HPG80 HEX 16	1502630000
10	25	12	ES APG/HPG80 HEX 25	1502640000
12	35	12	ES APG/HPG80 HEX 35	1502650000
14	50	12	ES APG/HPG80 HEX 50	1502670000
16	70	12	ES APG/HPG80 HEX 70	1502680000
18	95	10	ES APG/HPG80 HEX 95	1502690000
20	120	10	ES APG/HPG80 HEX 120	1502700000
22	150	5	ES APG/HPG80 HEX 150	1502720000
25	185	5	ES APG/HPG80 HEX 185	1502730000
28	240	5	ES APG/HPG80 HEX 240	1502740000
32	300	7	ES APG/HPG80 HEX 300	1502750000

HighPower 550 A


RockStar® HighPower is designed to meet the strict standards set by DIN EN 61373 Cat. 2 (pivot mounting). The coordinated connector components provide you with a fail-safe and maintenance-free power transmission solution: in this case up to 550 A / 4,000 V.



Technical data

HighPower 550 A series	
Standards	DIN EN 50124-1 In compliance with DIN EN 61984 DIN EN 50155 DIN EN 61373 KAT 2 (Pivot mounting)
Number of contacts	1-, 2-, 3 poles
Wire connection method	Crimp
Rated current	550 A
Rated insulation voltage (highest permitted operating voltage)	
AC wire - wire	4,000 V (4,800 V)*
AC wire - earthed housing	3,000 V
DC wire - wire	4,000 V (4,800 V)*
DC wire - earthed housing	3,000 V
Rated impulse voltage	
Wire - wire	25 kV
Wire - earthed housing	15 kV
Surge voltage category	OV 3
Pollution severity degree	PD 2 (PD 3) ¹
Material	
Insulating body	PA 66 glass-fibre reinforced
Contact	Copper alloy, silver plated
Flammability	
According to UL 94	V-0
According to NFF 16-101 / NFF 16-102	I3 F2
DIN 5510 Part 2	V-0
Insulation resistance	10 ¹⁰ Ω
Temperature range	-50 °C to +120 °C
HDC IP68 HP 248 series	
Protection degree according to DIN EN 60529	IP68 when interlocked
Colour	RAL 9005 (black)
Surface finish	Powder coating
Locking element	
Screw interlock	M8
Material	Stainless steel, rust-proof
Torque	11 Nm
Housing seal	Silicone rubber
Temperature range	-50 °C to +120 °C
Material	
Housing	Die-cast aluminium alloy, corrosion resistant
Mounting bracket	Stainless steel, rust-proof
Accessories	
Material	
Assembly frame	Stainless steel, rust-proof
Shield clamp	Sheet steel, galvanized
Touch-safe protection	PA66
Colour	
Assembly frame	Natural
Shield clamp	Natural
Touch-safe protection	Orange
Cable gland	
Material	
Cable gland	Optional as nickel-plated brass or stainless steel
Seal insert	TPE
Temperature range	-40 °C to +130 °C
Class of protection	IP68
Note:	
*4,800 V, depending on the application	
¹ The contacts are protected against contamination and condensation within the HDC housing.	
The completely assembled connector can be used at pollution degree PD 3.	

Overview

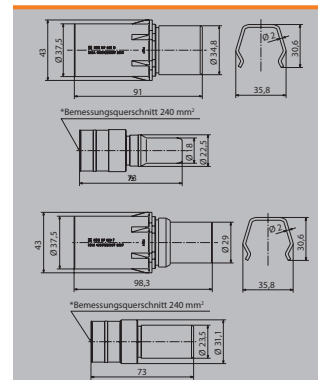
	Size	Rated voltage	Rated current	No. of poles	Tension clamp connection	TOP connection	Screw conn. with wire guard spring	Crimp connection	PUSH IN connection	Page
	8	4,000 V	550 A	1 - 3				•		D.12

Crimp contacts

Crimp contact



Conductor cross-section	Male Type	Order No.	Female Type	Order No.
25 mm ²	HDC HP 550 M 25	1220580000	HDC HP 550 F 25	1220570000
50 mm ²	HDC HP 550 M 50	1157800000	HDC HP 550 F 50	1177100000
70 mm ²	HDC HP 550 M 70	1268810000	HDC HP 550 F 70	1268820000
95 mm ²	HDC HP 550 M 95	1079790000	HDC HP 550 F 95	1079810000
120 mm ²	HDC HP 550 M 120	1079780000	HDC HP 550 F 120	1079820000
150 mm ²	HDC HP 550 M 150	1119110000	HDC HP 550 F 150	1079830000
185 mm ²	HDC HP 550 M 185	1120580000	HDC HP 550 F 185	1079840000
240 mm ²	HDC HP 550 M 240	1120590000	HDC HP 550 F 240	1120600000

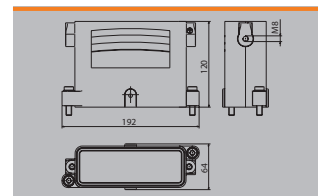


Housing

Plug housing



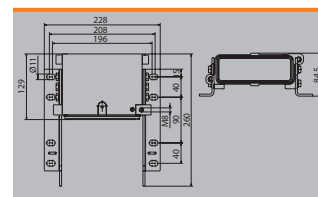
Deployment	Type	Order No.
Plug	HDC IP68 HP 24B T0	1079930000



Base housing



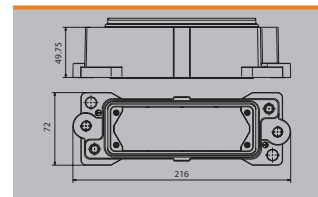
Deployment	Type	Order No.
Base housing	HDC IP68 HP 24B AS S	1079920000



Bulkhead housing



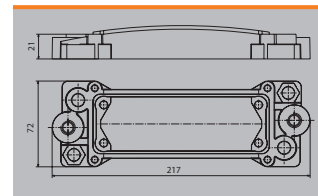
Deployment	Type	Order No.
Bulkhead (Feed-Through)	HDC IP68 HP 24B A	1120040000



Counter-frame



Deployment	Type	Order No.
Counter-frame	HDC IP68 24B HP FRAME	1282820000



RockStar® HighPower 550 A

Housing

Mounting cover



Deploym.	Cable entry	Number	Size	Type	Order No.
Cover				HDC IP68 24B MD	1119950000
Cover	w. threading	3	M 40	HDC IP68 24B MD 3M40	1119970000
Cover	w. threading	3	M 32	HDC IP68 24B MD 3M32	1119980000
Cover	w. threading	3	M 25	HDC IP68 24B MD 3M25	1079910000
Cover	w. threading	2	M 40	HDC IP68 24B MD 2M40	1119990000
Cover	w. threading	2	M 32	HDC IP68 24B MD 2M32	1120000000
Cover	w. threading	2	M 25	HDC IP68 24B MD 2M25	1120010000
Cover	w. threading	1	M 50	HDC IP68 HP 24B 1M50	2451460000
Cover	w. threading	1	M 63	HDC IP68 HP 24B 1M63	2473940000

Note

Accessories

Mounting frame



Size	No. of poles	Type	Order No.
8	2	HDC 24B HP550 MPL2 TYP1	1103710000
8	2	HDC 24B HP550 MPL2 TYP2	1103770000
8	3	HDC 24B HP550 MPL3 TYP1	1103720000
8	3	HDC 24B HP550 MPL3 TYP2	1103780000

Mounting frame set



Size	No. of poles	Type	Order No.
8	3	HDC HP 550 SSM SET	1987920000
8	3	HDC HP 550 SSF SET	1987950000

Note Low resistance screen transmission

EMC shield connection



Deploym.	Type	Order No.
	VGM25-MS68 EMC 11-20SET	1463720000
	VGM32-MS68 EMC 15-25SET	1463730000
	VGM40-MS68 EMC 20-32SET	2457660000

Mounting tool



Deploym.	Type	Order No.
	HDC FBS TOOL 13-50	8000015137

Note Spring band clamp installation tool for HighPower shield connections

Touch-safe protection set



Deploym.	Type	Order No.
	HDC HP 550 SHOCKPROTEC	1120140000

Note For use with HighPower 550 A female contacts

Accessories

Cable gland



Thread	Material	Cable diameter	Type	Order No.
M 25	Stainless steel 1.4305 (303)	11...20 mm	VGM25-SS68 11-20 BG	1193570000
M 32	Stainless steel 1.4305 (303)	15...25 mm	VGM32-SS68 15-25 BG	1193580000
M 40	Stainless steel 1.4305 (303)	20...32 mm	VGM40-SS68 20-32 BG	1193590000
M 25	Brass, nickel-plated	11...20 mm	VGM25-MS68 11-20 BG	1193600000
M 32	Brass, nickel-plated	15...25 mm	VGM32-MS68 15-25 BG	1193610000
M 40	Brass, nickel-plated	20...32 mm	VGM40-MS68 20-32 BG	1193620000

Note When using mounting covers with 3 X M 40 cable input threads, the elongated version must be used for the cable gland in the middle.

Cable glands, elongated version



Thread	Material	Cable diameter	Type	Order No.
M 40	Stainless steel 1.4305 (303)	20...32 mm	VGM40/1-SS68 20-32 BG	1205920000
M 40	Brass, nickel-plated	20...32 mm	VGM40/1-MS68 20-32 BG	1205890000

Crimping tools

EPG 45 hydraulic battery crimping tool



Type	Order No.
EPG 45	1500830000

Hexagonal crimp inserts for EPG 45



Code no.	CU mm²	Crimping width	Type	Order No.
5	6	7	ES MTR110 HEX 6	1500930000
6/16	10/70	7/5	ES MTR110 HEX 10/70	1500940000
8/12	16/35	12/10	ES MTR110 HEX 16/35	1500950000
10/14	25/50	12/5	ES MTR110 HEX 25/50	1500970000
18	95	5	ES MTR110 HEX 95	1500980000
22	150	5	ES EPG 45 HEX 150	1994540000
20	120	5	ES MTR110 HEX 120	1500990000

APG 55 hydraulic battery crimping tool



Type	Order No.
APG 55	1501390000

Hexagonal crimp inserts for APG 55



Code no.	CU mm²	Crimping width	Type	Order No.
5	6	7	ES APG/HPG55 HEX 6	1501530000
6/16	10/70	7	ES APG/HPG55 HEX 10/70	1501540000
8/12	16/35	12/5	ES APG/HPG55 HEX 16/35	1501550000
10/14	25/50	12/5	ES APG/HPG55 HEX 25/50	1501570000
18	95	5	ES APG/HPG55 HEX 95	1501580000
20	120	5	ES APG/HPG55 HEX 120	1501590000
22	150	5	ES APG/HPG55 HEX 150	1501600000
25	185	5	ES APG/HPG55 HEX 185	1501620000

RockStar® HighPower 550 A

Crimping tools

APG 80 hydraulic battery crimping tool



Type

APG 80

Order No.

1502390000

Hexagonal crimp inserts for APG 80



Code no.	CU mm ²	Crimping width	Type	Order No.
5	6	7	ES APG/HPG80 HEX 6	1502600000
6	10	7	ES APG/HPG80 HEX 10	1502620000
8	16	12	ES APG/HPG80 HEX 16	1502630000
10	25	12	ES APG/HPG80 HEX 25	1502640000
12	35	12	ES APG/HPG80 HEX 35	1502650000
14	50	12	ES APG/HPG80 HEX 50	1502670000
16	70	12	ES APG/HPG80 HEX 70	1502680000
18	95	10	ES APG/HPG80 HEX 95	1502690000
20	120	10	ES APG/HPG80 HEX 120	1502700000
22	150	5	ES APG/HPG80 HEX 150	1502720000
25	185	5	ES APG/HPG80 HEX 185	1502730000
28	240	5	ES APG/HPG80 HEX 240	1502740000
32	300	7	ES APG/HPG80 HEX 300	1502750000

